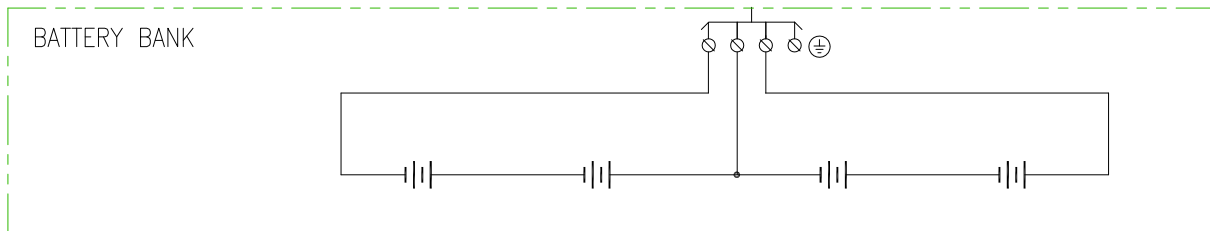
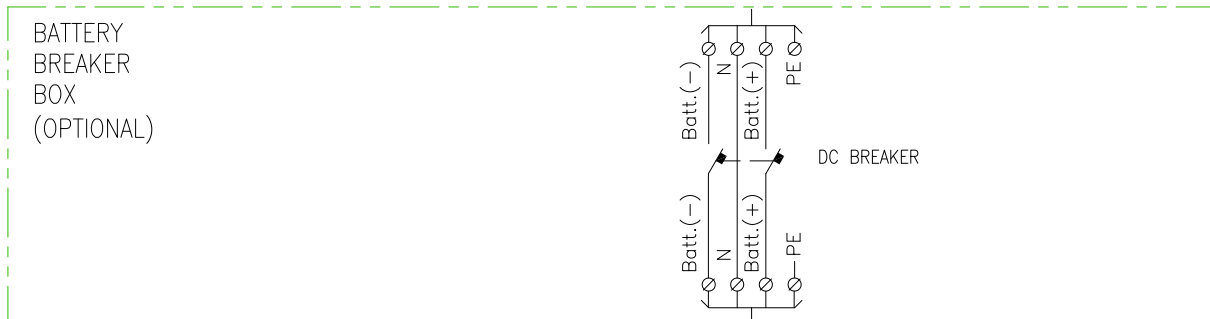


NOTES:

1. PLEASE REFER TO APC INSTALLATION GUIDE.
- △ 2. SHALL BE L1, L2, L3, N, PE (PROVIDED BY OTHERS).
- △ 3. ----- = AC/DC CABLING (PROVIDED BY OTHERS).
4. ALL AC POWER CABLING IS L1, L2, L3, N, PE.
- △ 5. DC CABLING SHOULD BE SEGREGATED FROM AC CABLING.
6. UPS INPUT AND OUTPUT CABLES SHOULD BE SEGREGATED.
7. POWER WIRING AND CONTROL WIRING SHOULD BE SEGREGATED.
- △ 8. SINGLE MAINS INSTALLATION IS A DEFAULT. FOR DUAL MAINS OPTION REFER TO DRAWING# SUVT30KH2SNB-SD FOR DETAILS.
9. OUTPUT OVER CURRENT PROTECTION SHALL BE PROVIDED BY OTHERS.
10. INSTALLATION SHALL COMPLY WITH ALL APPLICABLE NATIONAL, STATE AND LOCAL CODES.
11. SEE PRODUCT DOCUMENTATION FOR FURTHER INFORMATION.
12. UNLESS OTHERWISE SPECIFIED, ALL DIMENSIONS ARE IN INCHES[MILLIMETERS].
13. THIS DRAWING DEPICTS THE POWER SYSTEM CONNECTIONS AND IS NOT REPRESENTATIVE OF THE PHYSICAL LAYOUT. PLEASE REFER TO MECHANICAL DRAWINGS FOR PHYSICAL LAYOUT.



THIS DRAWING AND SPECIFICATIONS HEREIN ARE THE PROPERTY OF SCHNEIDER ELECTRIC AND SHALL NOT BE COPIED, REPRODUCED OR USED IN WHOLE OR IN PART, AS THE BASIS FOR THE MANUFACTURE OR SALE OF ITEMS WITHOUT WRITTEN PERMISSION FROM SCHNEIDER ELECTRIC. THIS DRAWING IS BASED UPON LATEST AVAILABLE INFORMATION AND IS SUBJECT TO CHANGE WITHOUT NOTICE.



TITLE: SMART-UPS VT 30kVA
WITHOUT INTERNAL BATTERY
INPUT: 3x400/230V SINGLE MAINS
OUTPUT: 3x3400/230V 10kVA
SYSTEM ONE LINE

PROJECT: STD SUBMITTAL DRAWINGS SHEET 1 OF 1

DWG NO: SUVTP30KH1SNB-SD

DRAWN BY:	V BUSH	15-APR-11
ENGINEER:	B H NIELSEN	15-APR-11
APPROVED BY:	C LARSEN	15-APR-11

REV. 1
PROJ ANGLE
N.A.