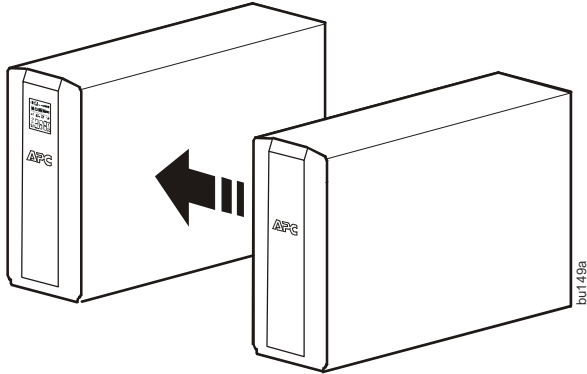


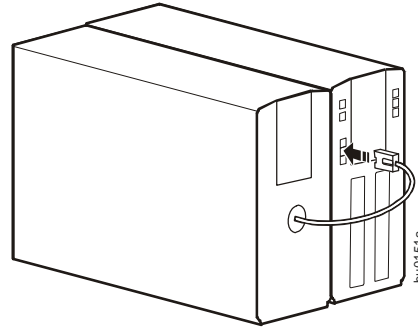
Installation Guide Back-UPS® BR24BPG-IN Battery Pack

Installation

1



2



Battery Maintenance and Storage Guidelines

Follow these guidelines to achieve top performance from the UPS.

1. **Keep the UPS in a cool location.**
2. **Turn the UPS OFF when connected equipment is not in use** to preserve the battery.
3. **Manage UPS shut down in regions that experience frequent outages.** Promptly save your files and shut down your computer at the onset of a power outage to preserve battery life and reduce recharge time. If the UPS was supplied with a computer cable, you can automate this process by downloading and configuring PowerChute® software.
4. **Replace the battery after extended storage.** After six months of storage the UPS battery pack may not hold a charge for the full predicted runtime. It is recommended that a new battery pack be purchased to maintain optimal performance of the UPS. Recharge the battery pack before placing the UPS in storage for an extended period of time.
5. **Battery wear and warranty.** Environmental factors impact battery life. High temperatures, poor quality utility power and frequent short duration discharges will shorten battery life. The predicted battery runtime will decrease as the battery pack ages. When this occurs contact APC Customer Support to order a replacement battery pack. Normal battery wear is not covered by the Limited Warranty.

Specifications

Model	BR24BPG-IN
Battery Voltage	24 Vdc (nominal)
Operating Temperature	0° to 40°C (32° to 104°F)
Storage Temperature	-5° to 45°C (23° to 113°F)
Operating / Storage Relative Humidity	0 to 95% non-condensing
Size (H x W x D)	30.1 x 11.2 x 38.2 cm (11.9 x 4.4 x 15 in)
Weight	13.4 kg (29.5 lb)
Shipping Weight	14.6 kg (32.2 lb)

APC Customer Support India

Internet	http://www.apc.com/support
Toll Free BSNL network	1 800 425 4272
All other networks	city code + 39022272
E-mail	indiainfo@apc.com